

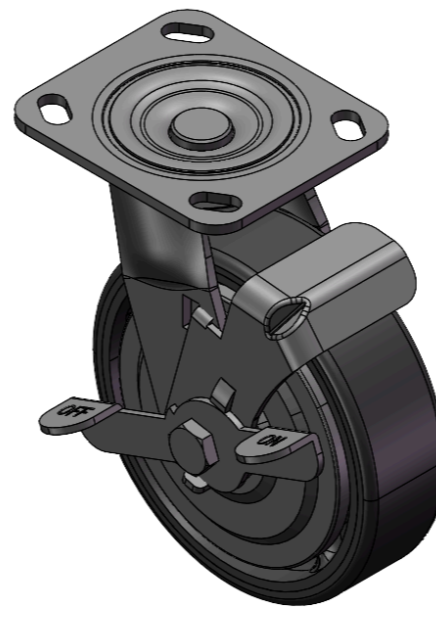
# 1124 1-1/2" Wide General Purposes Caster Series



PU wheel (black flat) Wheel diameter × Wheel width 150×42 mm

EAN

YJ-11240600334014



Picture may differ from original product

Drawings are for reference only and may differ from the product

## Technical Data

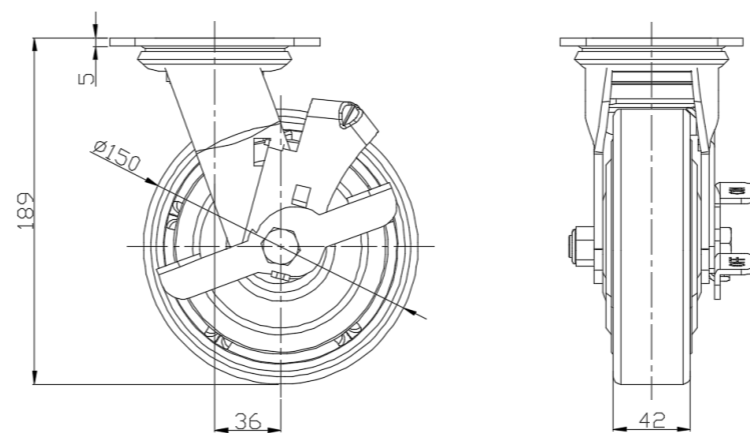
Metric  Imperial

|                         |                               |
|-------------------------|-------------------------------|
| Wheel Diameter          | 150mm                         |
| Wheel Width             | 42mm                          |
| Wheel Bearing           | Wheels With Ball Bearings     |
| Plate Size              | 115 x 100mm                   |
| Bolt Hole Spacing       | 85 x 70mm                     |
| Plate Hole              | 20 x 11mm                     |
| Offset                  | 36mm                          |
| Swivel Interference     | 224mm                         |
| Overall Height          | 189mm                         |
| Swivel Radius           | 112mm                         |
| Hardness Of Tread       | 93±5° Shore A                 |
| Load Capacity (Dynamic) | 600kgs                        |
| Load Capacity (Static)  | 900kgs                        |
| Temperature             | -20°C to +70°C                |
| Fork Type               | Swivel Caster With Side Brake |
| Stainless               | N/A                           |
| Electrical Conductivity | N/A                           |
| Anti-Static             | N/A                           |
| Weight                  | 3.29kgs                       |
| Standard                | ISO22883                      |

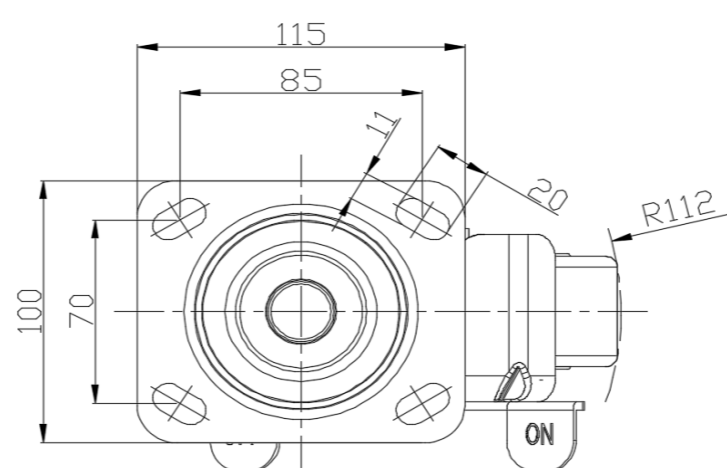
## Advantages at a glance

|                            |       |
|----------------------------|-------|
| Rolling Resistance         | ●●●○○ |
| Operating Noise            | ●●●●○ |
| Floor Surface Preservation | ●●●●○ |

## Dimensions



## Mounting



\* For any deviation between metric and imperial spec, please refer to the metric spec.