

1129 Medical Caster Series

PPR E-Conductive (black-gray) Wheel Diameter × Wheel Width 100 x 31mm

EAN

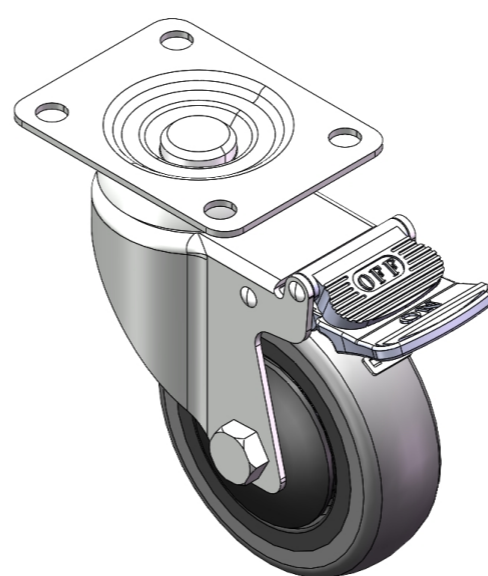
YJ-11290400174033

Casters with a Total Brake and With locking system. Top Plate Riveted and Stamping 72 x 53.5mm (2-7/8" x 2-1/8") Bolt Hole Spacing.
Zinc-Plated, Mounting Type - Top Plate.
High-Quality Impact-Resistant Polypropylene Wheel Center with High-Quality Reinforced Polypropylene Rubber (TPR) Wheel Tread.
Black-gray color, Bearing with Ball Bearings.

Wheel tread: Thermoplastic rubber elastomer (TPR)

Wheel Center: Made of high-quality impact-resistant polypropylene

Drawings are for reference only and may differ from the product



Picture may differ from original product

Technical Data

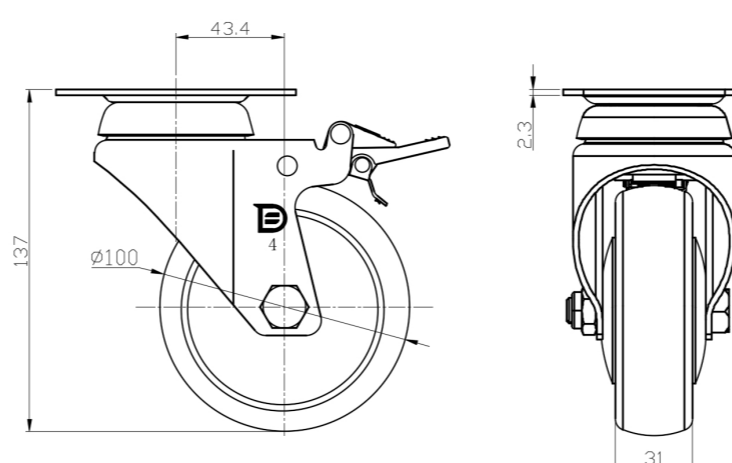
Imperial Metric

Wheel Diameter	4 "
Wheel Width	1-1/4 "
Wheel Bearing	Wheels With Ball Bearings
Plate Size	3-13/16 " x 2-7/8 "
Bolt Hole Spacing	2-7/8 x 2-1/8
Plate Hole	3/8 "
Offset	1-3/4 "
Swivel Interference	8-3/4 "
Overall Height	5-1/2 "
Swivel Radius	4-3/8 "
Hardness Of Tread	82±5° Shore A
Load Capacity (Dynamic)	220lbs
Load Capacity (Static)	331lbs
Temperature	-4°F to +140°F
Fork Type	Swivel Caster With Total Brake
Stainless	N/A
Electrical Conductivity	Y 电阻值10 ³ ~10 ⁴
Anti-Static	N/A
Weight	2.0lbs
Standard	ISO22883

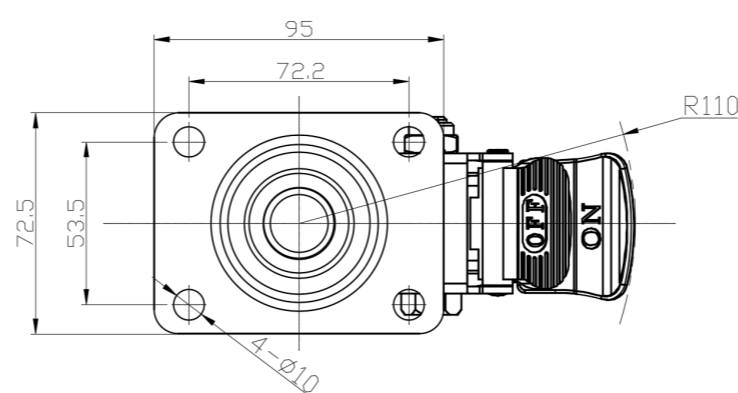
Advantages at a glance

Rolling Resistance	● ● ● ● ○
Operating Noise	● ● ● ● ○
Floor Surface Preservation	● ● ● ● ●

Dimensions



Mounting



* For any deviation between metric and imperial spec, please refer to the metric spec.