

1129 Medical Caster Series

NPPR(grey tire) Wheel Diameter × Wheel Width 100 x 23mm

EAN

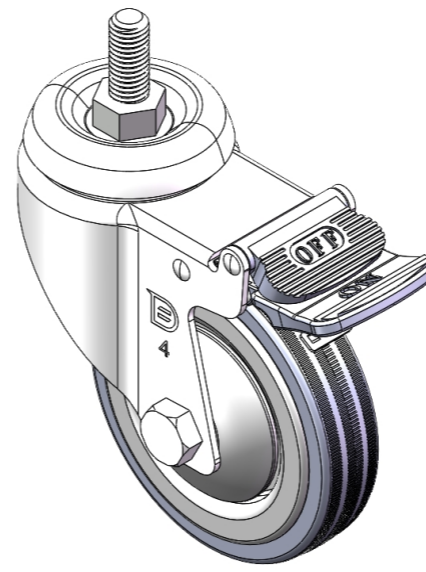
YJ-11290400266953

Casters with a Total Brake and With locking system. Threaded Stem Riveted Pressed Fork —1/2"-12"
 Zine-Plated, Mounting Type - Threaded Stem
 High-Quality Impact-Resistant Polypropylene Wheel Center, High-Quality Reinforced Polypropylene Rubber (TPR) Wheel Tread
 Gray-green color, Bearing—Plain Bearing.

Wheel tread: Thermoplastic rubber elastomer (TPR)

Wheel Center: Made of high-quality impact-resistant polypropylene

Drawings are for reference only and may differ from the product



Picture may differ from original product

Technical Data

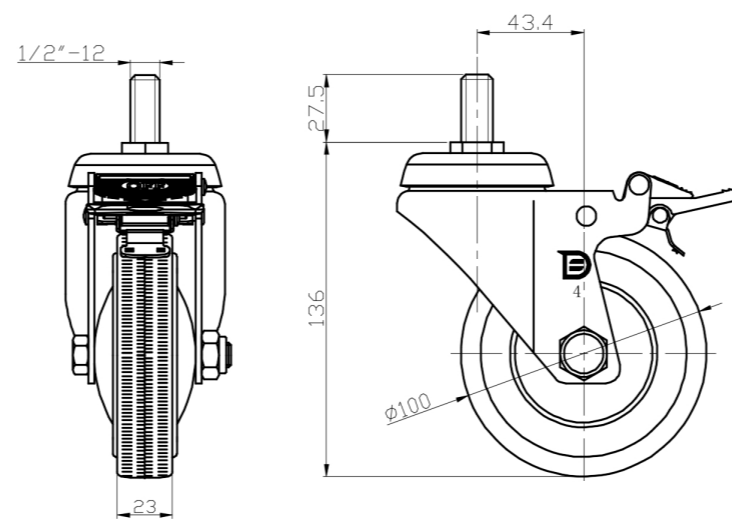
Imperial Metric

Wheel Diameter	4 "
Wheel Width	15/16
Wheel Bearing	Wheel With Plain Bearing
Threaded Stem	1/2 " -12
Threaded Size	1-1/8 "
Offset	1-3/4 "
Swivel Interference	8-3/4 "
Overall Height	5-7/16 "
Swivel Radius	4-3/8 "
Hardness Of Tread	82±5° Shore A
Load Capacity (Dynamic)	154lbs
Load Capacity (Static)	231lbs
Temperature	-4°F to +140°F
Fork Type	Swivel Caster With Total Brake
Stainless	N/A
Electrical Conductivity	N/A
Anti-Static	N/A
Weight	1.5lbs
Standard	ISO22883

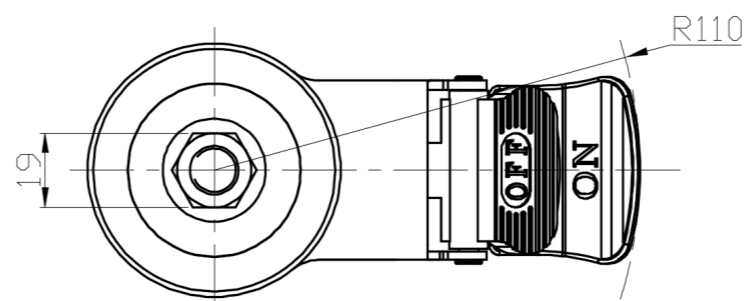
Advantages at a glance

Rolling Resistance	● ● ● ● ●
Operating Noise	● ● ● ● ●
Floor Surface Preservation	● ● ● ● ●

Dimensions



Mounting



* For any deviation between metric and imperial spec, please refer to the metric spec.