

1129 Medical Caster Series

PPR (Pearlescent dark gray) Wheel Diameter × Wheel Width 125 x 31mm

EAN

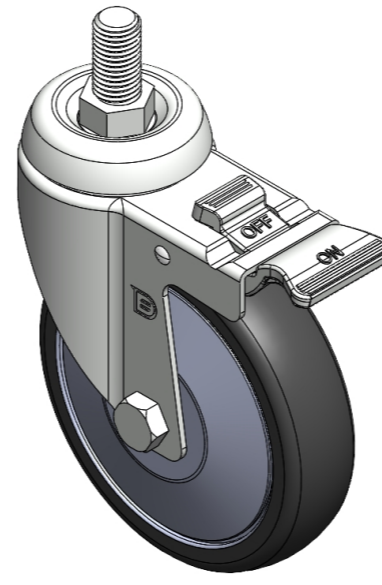
YJ-11290500266943

Casters with Total Brake Locking system. Threaded Stamping Fork - M16-P2 Extended control lever surface, Mounting Type - Threaded Stem High-quality Impact Resistance Polypropylene Wheel Center, High-Quality Thermoplastic Rubber (TPR) Wheel Tread (Wheel Tread with added thermoplastic shrink film protection) Pearl-colored dark gray, Bearing - Ball Bearing.

Wheel tread: Thermoplastic rubber elastomer (TPR)

Wheel Center: Made of high-quality impact-resistant polypropylene

Drawings are for reference only and may differ from the product



Picture may differ from original product

Technical Data

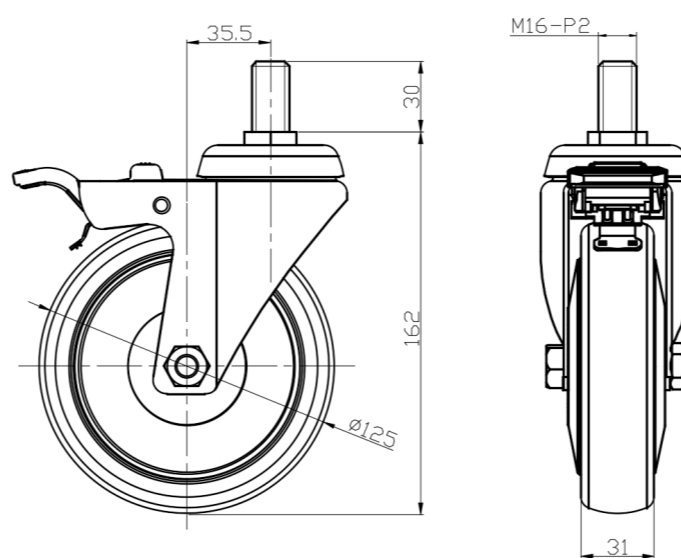
Imperial Metric

Wheel Diameter	5 "
Wheel Width	1-1/4 "
Wheel Bearing	Wheels With Ball Bearings
Threaded Stem	M16-P2
Threaded Size	1-3/16 "
Offset	1-7/16 "
Swivel Interference	8-5/8 "
Overall Height	7-1/2 "
Swivel Radius	2-7/16 "
Hardness Of Tread	82±5° Shore A
Load Capacity (Dynamic)	243lbs
Load Capacity (Static)	364lbs
Temperature	-4°F to +140°F
Fork Type	Swivel Caster With Total Brake
Stainless	N/A
Electrical Conductivity	N/A
Anti-Static	N/A
Weight	2.6lbs
Standard	ISO22883

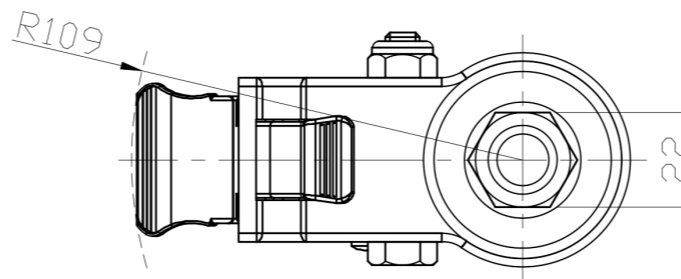
Advantages at a glance

Rolling Resistance	● ● ● ● ○
Operating Noise	● ● ● ● ○
Floor Surface Preservation	● ● ● ● ●

Dimensions



Mounting



* For any deviation between metric and imperial spec, please refer to the metric spec.