

1129 Medical Caster Series

PPR (Pearlescent dark gray) Wheel Diameter × Wheel Width 125 x 31mm

EAN

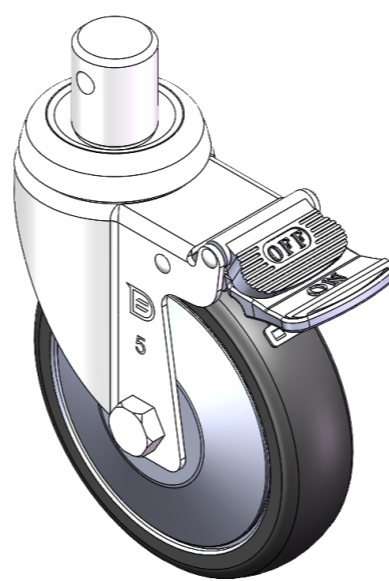
YJ-11290500268123

Castors with Total Brake Locking system. Stamped and Riveted feet - Ø28x30L Surface zinc-plated, stud Mounting Type, M8 hole High-quality Impact Resistance Polypropylene Wheel Center, High-Quality Thermoplastic Rubber (TPR) Wheel Tread Pearl-finish dark grey, Bearing - Ball Bearing.

Wheel tread: Thermoplastic rubber elastomer (TPR)

Wheel Center: Made of high-quality impact-resistant polypropylene

Drawings are for reference only and may differ from the product



Picture may differ from original product

Technical Data

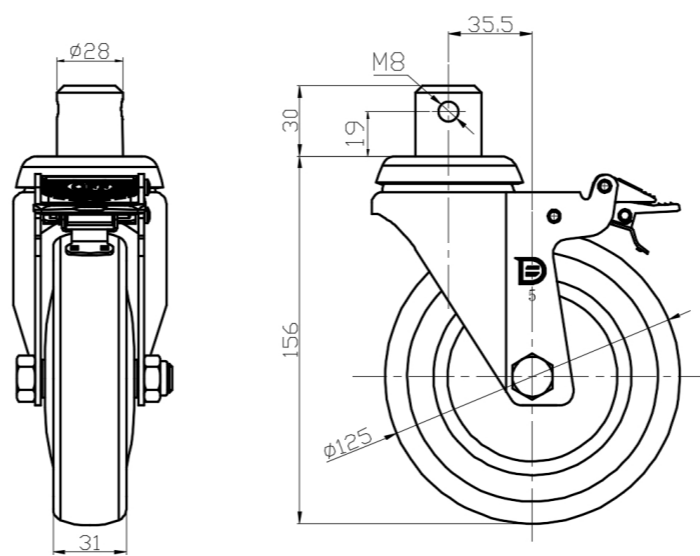
Metric Imperial

Wheel Diameter	125mm
Wheel Width	31mm
Wheel Bearing	Wheels With Ball Bearings
Diameter	28mm
Stem Hole Spec	30mm
Offset	35.5mm
Swivel Interference	220mm
Overall Height	156mm
Swivel Radius	110mm
Hardness Of Tread	82±5° Shore A
Load Capacity (Dynamic)	110kgs
Load Capacity (Static)	165kgs
Temperature	-20°C to +60°C
Fork Type	Swivel Caster With Total Brake
Stainless	N/A
Electrical Conductivity	N/A
Anti-Static	N/A
Weight	0.96kgs
Standard	ISO22883

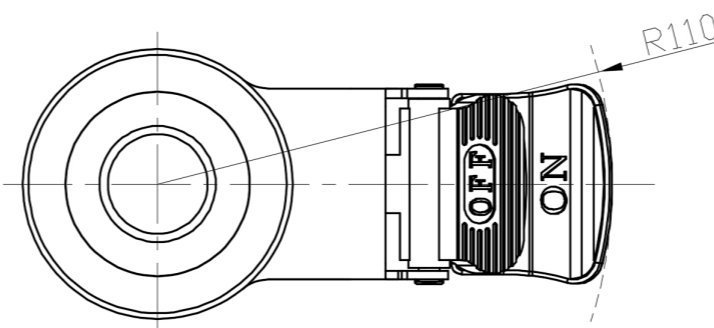
Advantages at a glance

Rolling Resistance	● ● ● ● ○
Operating Noise	● ● ● ● ○
Floor Surface Preservation	● ● ● ● ●

Dimensions



Mounting



* For any deviation between metric and imperial spec, please refer to the metric spec.