

1139 Medium Duty General Purposes Caster Series

PU (red flat) Wheel Diameter x Wheel Width 75 × 32mm

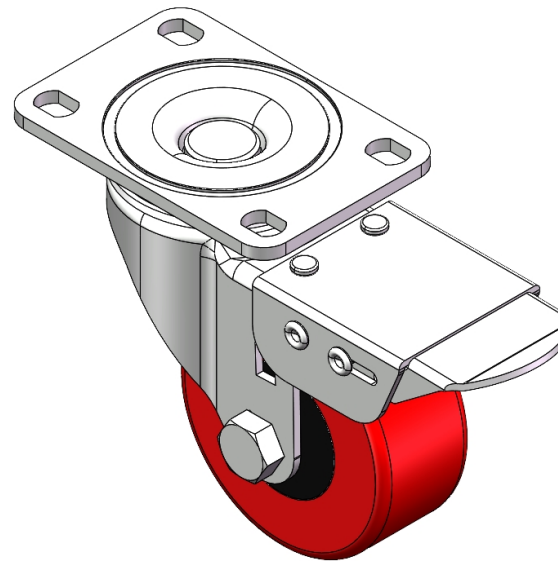
EAN

YJ-11390300334023

Casters with Total Brakes and a With locking system. Top Plate with Riveted, Stamping Fork and 75 x 45 mm (3" x 1-3/4") Bolt Hole Spacing. Zine-Plated, Top Plate (4T) Mounting Type system. Cast Iron core with High Quality Polyurethane Wheel Tread. Red color, Bearing with Ball Bearings.

Wheel tread: Made of high-quality polyurethane
Wheel Center: cast iron core

Drawings are for reference only and may differ from the product



Picture may differ from original product

Technical Data

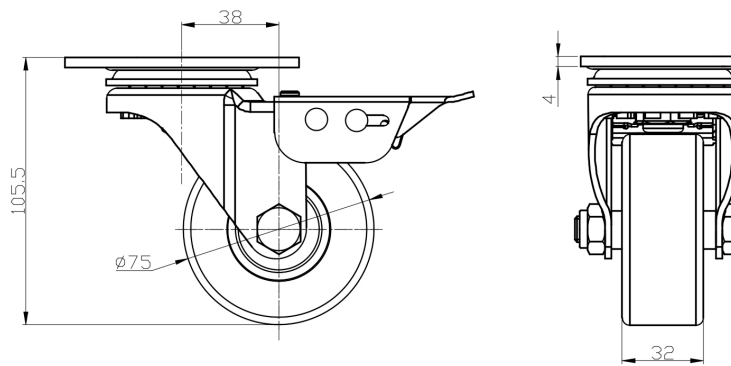
Imperial Metric

Wheel Diameter	6 "
Wheel Width	1-5/8 "
Wheel Bearing	Wheels With Ball Bearings
Plate Size	3-13/16 " x 2-9/16 "
Bolt Hole Spacing	3 " x 1-13/16 "
Plate Hole	1/2 " x 1/2 "
Offset	1-1/2 "
Swivel Interference	10-3/8 "
Overall Height	7-1/2 "
Swivel Radius	4-9/16 "
Hardness Of Tread	93±5° Shore A
Load Capacity (Dynamic)	198lbs
Load Capacity (Static)	298lbs
Temperature	-4°F to +158°F
Fork Type	Swivel Caster With Total Brake
Stainless	N/A
Electrical Conductivity	N/A
Anti-Static	N/A
Weight	2.7lbs
Standard	ISO22883

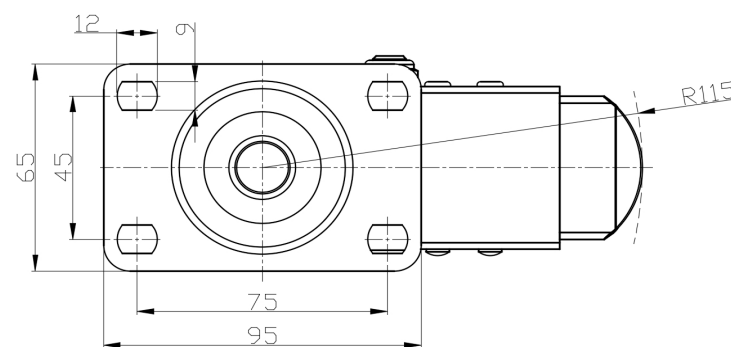
Advantages at a glance

Rolling Resistance	● ● ● ● ● ○ ○
Operating Noise	● ● ● ● ● ○
Floor Surface Preservation	● ● ● ● ● ○

Dimensions



Mounting



* For any deviation between metric and imperial spec, please refer to the metric spec.