

## 1139 Medium Duty General Purposes Caster Series

W Resolute(Pearlescent dark gray) Wheel Diameter × Wheel Width 100 x 31mm

EAN

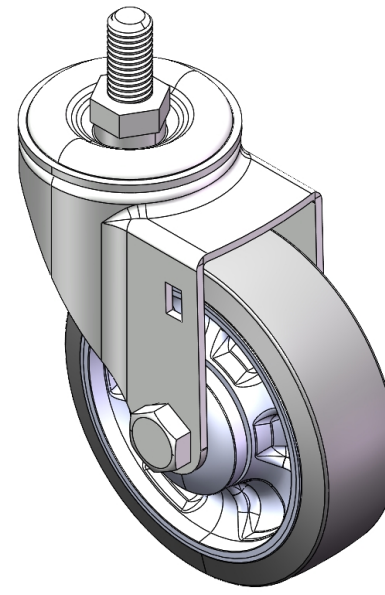
YJ-11390400455013

Swivel Caster, thread-Riveted Stamping Fork—M12-P1.75  
 Zine-Plated, Mounting Type - Threaded Stem  
 Reinforced impact-resistant polypropylene core, High-Quality Reinforced Polypropylene  
 Rubber (TPR) Wheel Tread  
 Pearl-gray finish, Ball Bearings.

Wheel tread: Thermoplastic rubber elastomer (TPR)

Wheel Center: Made of high-quality impact-resistant polypropylene

Drawings are for reference only and may differ from the product



Picture may differ from original product

### Technical Data

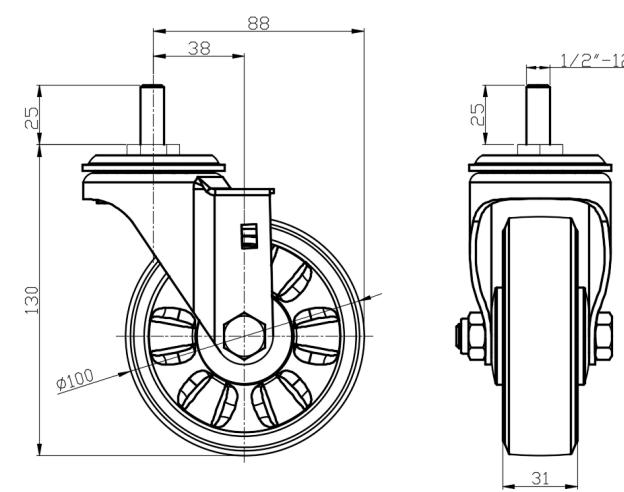
Imperial  Metric

Wheel Diameter	4 "
Wheel Width	1-1/4 "
Wheel Bearing	Wheels With Ball Bearings
Threaded Stem	M12-P1.75
Threaded Size	1 "
Offset	1-1/2 "
Swivel Interference	7 "
Overall Height	5-3/16 "
Swivel Radius	3-1/2 "
Hardness Of Tread	72±5° Shore A
Load Capacity (Dynamic)	298lbs
Load Capacity (Static)	446lbs
Temperature	-4°F to +140°F
Fork Type	Swivel Caster
Stainless	N/A
Electrical Conductivity	N/A
Anti-Static	N/A
Weight	1.4lbs
Standard	ISO22883

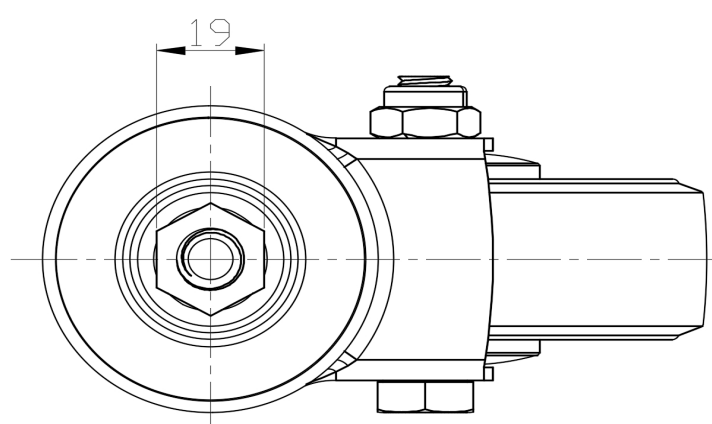
### Advantages at a glance

Rolling Resistance	•••••
Operating Noise	•••••
Floor Surface Preservation	•••••

### Dimensions



### Mounting



\* For any deviation between metric and imperial spec, please refer to the metric spec.