

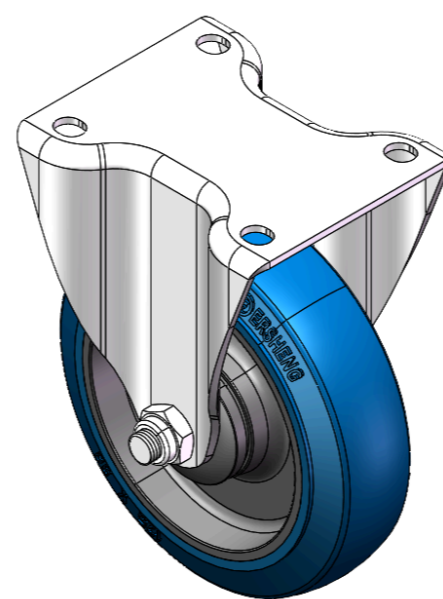
1150 Medium Duty General Purposes Caster Series



All-purpose elastic wheel (black & blue) Wheel diameter × Wheel width 125×36 mm

EAN

YJ-11500500451023



Drawings are for reference only and may differ from the product

Picture may differ from original product

Technical Data

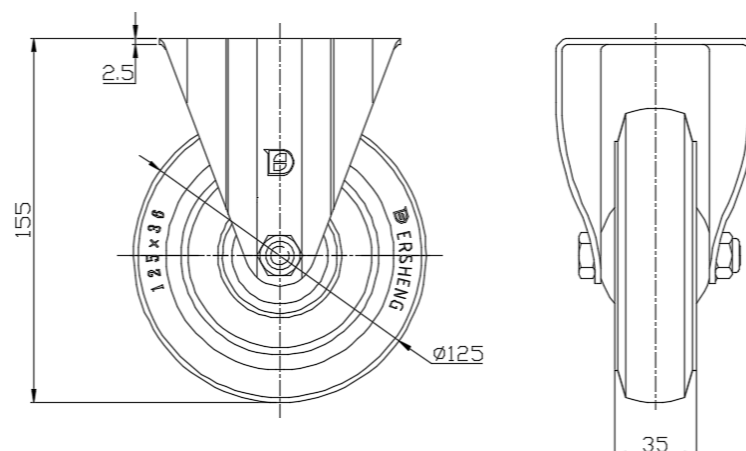
Metric Imperial

Wheel Diameter	125mm
Wheel Width	35mm
Wheel Bearing	Wheels With Ball Bearings
Plate Size	103 x 85mm
Bolt Hole Spacing	80 x 60mm
Plate Hole	10.5 x 9mm
Overall Height	155mm
Hardness Of Tread	72±5° Shore A
Load Capacity (Dynamic)	250kgs
Load Capacity (Static)	375kgs
Temperature	-20°C to +60°C
Fork Type	Rigid Caster
Stainless	N/A
Electrical Conductivity	N/A
Anti-Static	N/A
Weight	0.70kgs
Standard	ISO22883

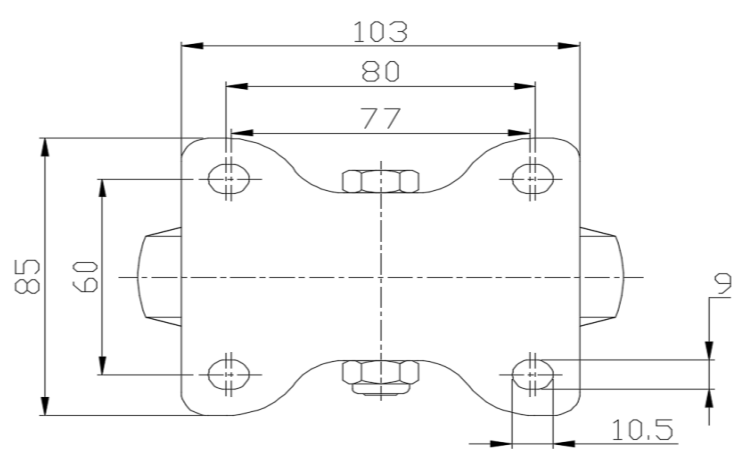
Advantages at a glance

Rolling Resistance	● ● ● ● ●
Operating Noise	● ● ● ● ●
Floor Surface Preservation	● ● ● ● ●

Dimensions



Mounting



* For any deviation between metric and imperial spec, please refer to the metric spec.