

Rubber Series



Wheel Diameter × Wheel Width 200 x 60mm

EAN

YJ-12046208230101



Picture may differ from original product

Product descriptions are for reference only. The actual product shall prevail.

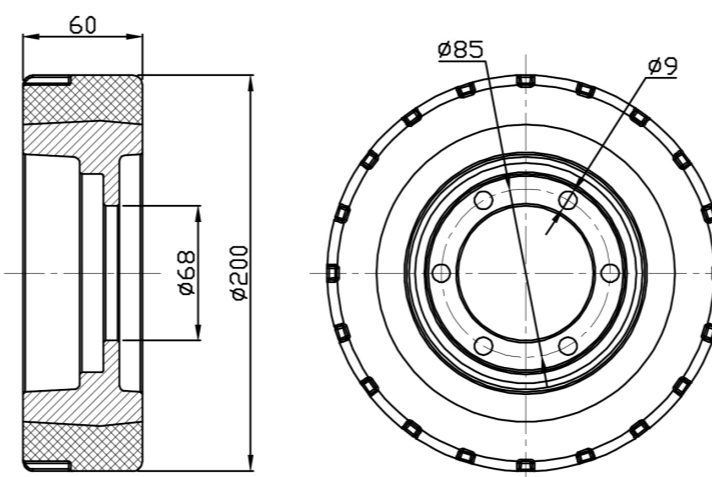
Technical Data

| | |
|--|----------------|
| <input checked="" type="radio"/> Metric <input type="radio"/> Imperial | |
| Wheel Diameter (D) | 200mm |
| Wheel Width (T2) | 60mm |
| Wheel installation — Hub Lenth (T1) | — |
| Wheel center-bore diameter (d) | 68mm |
| Wheel Mounting Bolt Hole PCD Diameter | 9mm |
| Wheel Mounting Bolt Hole PCD | 85mm |
| # Of Wheel mounting bolt boles | 6 |
| Wheel mounting bolt hole (M) | — |
| Number of wheel mounting bolt holes | — |
| Load Capacity (Static) | 375kgs |
| Load Capacity at 4 km/h | 250kgs |
| Load Capacity at 6 km/h | 212.5kgs |
| Load Capacity at 10 km/h | 175kgs |
| Load Capacity at 16 km/h | 100kgs |
| Hardness Of Tread | 72±5° Shore A |
| Temperature | -20°C to +80°C |
| Tread Pattern | — |
| Wheel centre/ rim | — |
| Non-Marking | Y |
| Conductive | N/A |
| Anti | N/A |
| Weight | 4.70kgs |
| Standard | ISO22883 |

Advantages at a glance

| | |
|----------------------------|-------------|
| Rolling Resistance | ● ● ● ● ● |
| Operating Noise | ● ● ● ● ● |
| Floor Surface Preservation | ● ● ● ● ● ○ |

2D Dimensional Drawing of Drive Wheel



* For any deviation between metric and imperial spec, please refer to the metric spec.