

Rubber Series



Wheel Diameter × Wheel Width 200 x 60mm

EAN

YJ-12046208230101



Picture may differ from original product

Product descriptions are for reference only. The actual product shall prevail.

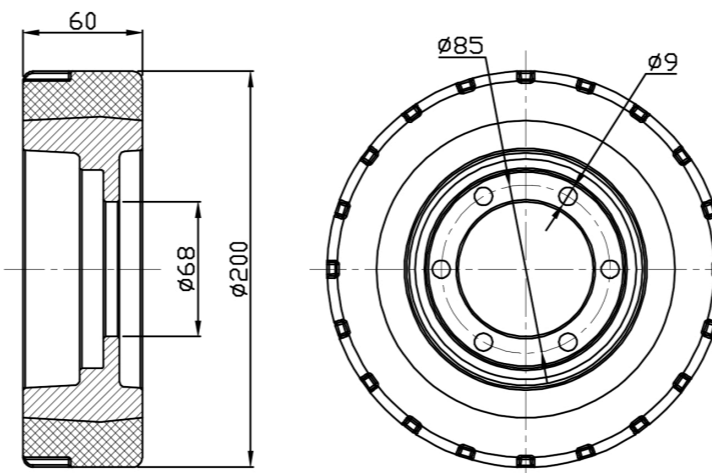
Technical Data

<input checked="" type="radio"/> Imperial <input type="radio"/> Metric	
Wheel Diameter (D)	8 "
Wheel Width (T2)	2-7/16 "
Wheel installation — Hub Lenth (T1)	—
Wheel center-bore diameter (d)	2-11/16 "
Wheel Mounting Bolt Hole PCD Diameter	23/64 "
Wheel Mounting Bolt Hole PCD	3-7/16 "
# Of Wheel mounting bolt boles	6
Wheel mounting bolt hole (M)	—
Number of wheel mounting bolt holes	—
Load Capacity (Static)	827lbs
Load Capacity at 4 km/h	551lbs
Load Capacity at 6 km/h	468lbs
Load Capacity at 10 km/h	386lbs
Load Capacity at 16 km/h	220lbs
Hardness Of Tread	72±5° Shore A
Temperature	-4°F to +176°F
Tread Pattern	—
Wheel centre/ rim	
Non-Marking	Y
Conductive	N/A
Anti	N/A
Weight	10.4lbs
Standard	ISO22883

Advantages at a glance

Rolling Resistance	● ● ● ● ●
Operating Noise	● ● ● ● ●
Floor Surface Preservation	● ● ● ● ● ○

2D Dimensional Drawing of Drive Wheel



* For any deviation between metric and imperial spec, please refer to the metric spec.