

Rubber Series



Wheel Diameter × Wheel Width 200 x 70mm

EAN

YJ-12046208280101



Picture may differ from original product

Product descriptions are for reference only. The actual product shall prevail.

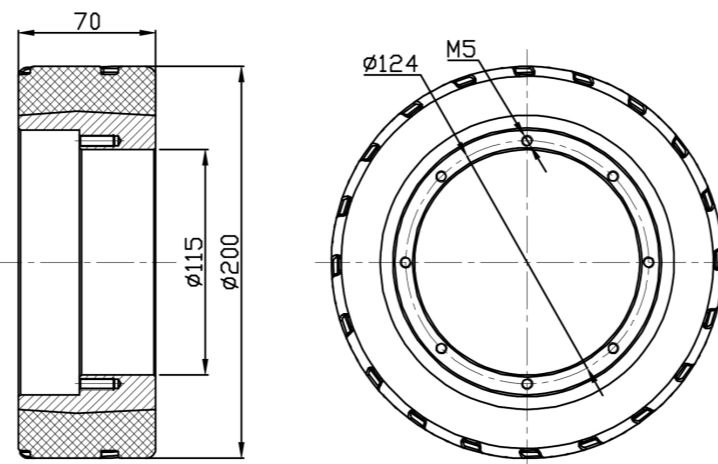
Technical Data

<input checked="" type="radio"/> Metric <input type="radio"/> Imperial	
Wheel Diameter (D)	200mm
Wheel Width (T2)	70mm
Wheel installation — Hub Lenth (T1)	—
Wheel center-bore diameter (d)	115mm
Wheel Mounting Bolt Hole PCD Diameter	—
Wheel Mounting Bolt Hole PCD	124mm
# Of Wheel mounting bolt boles	—
Wheel mounting bolt hole (M)	5
Number of wheel mounting bolt holes	8
Load Capacity (Static)	375kgs
Load Capacity at 4 km/h	250kgs
Load Capacity at 6 km/h	212.5kgs
Load Capacity at 10 km/h	175kgs
Load Capacity at 16 km/h	100kgs
Hardness Of Tread	72±5° Shore A
Temperature	-20°C to +80°C
Tread Pattern	—
Wheel centre/ rim	—
Non-Marking	Y
Conductive	N/A
Anti	N/A
Weight	4.09kgs
Standard	ISO22883

Advantages at a glance

Rolling Resistance	● ● ● ● ●
Operating Noise	● ● ● ● ●
Floor Surface Preservation	● ● ● ● ● ○

2D Dimensional Drawing of Drive Wheel



* For any deviation between metric and imperial spec, please refer to the metric spec.