

Rubber Series

Wheel Diameter × Wheel Width 203 x 50.8mm

EAN

YJ-12047808205200

Made of High-Quality Resilient Rubber **Features excellent handling, superior Floor Surface Preservation, and Shock-Absorbing.** **Excellent resistance to chemicals, solvents, and corrosion.** **Suitable for industrial and heavy-duty wheels.** **Rubber, Black, with a textured surface.** **Increases grip and effectively improves slip resistance.**

Wheel Center: Aluminum core
Outer packaging: rubber



Picture may differ from original product

Product descriptions are for reference only. The actual product shall prevail.

Technical Data

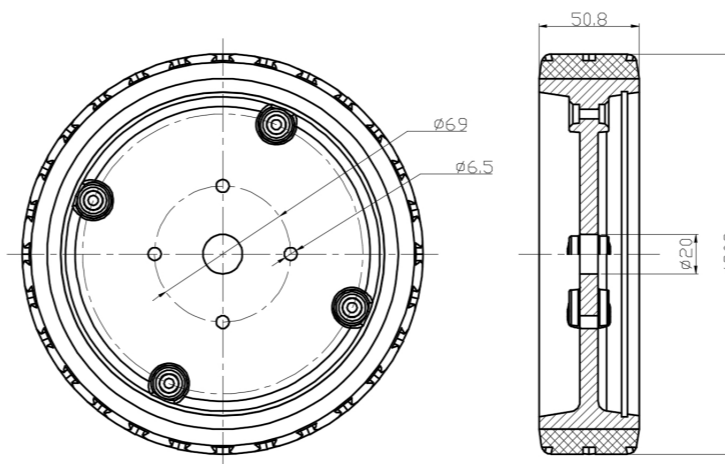
Metric Imperial

| | |
|---------------------------------------|------------------------------|
| Wheel Diameter (D) | 203mm |
| Wheel Width (T2) | 50.8mm |
| Wheel installation — Hub Lenth (T1) | — |
| Wheel center-bore diameter (d) | 20mm |
| Wheel Mounting Bolt Hole PCD Diameter | 6.5 mm |
| Wheel Mounting Bolt Hole PCD | 69mm |
| # Of Wheel mounting bolt boles | 4 |
| Wheel mounting bolt hole (M) | — |
| Number of wheel mounting bolt holes | — |
| Load Capacity (Static) | 450kgs |
| Load Capacity at 4 km/h | 300kgs |
| Load Capacity at 6 km/h | 255kgs |
| Load Capacity at 10 km/h | 210kgs |
| Load Capacity at 16 km/h | 120kgs |
| Hardness Of Tread | 72±5° Shore A |
| Temperature | -20°C to +80°C |
| Tread Pattern | Diamond pattern |
| Wheel centre/ rim | Aluminum core/passivation |
| Non-Marking | Y |
| Conductive | N/A |
| Anti | N/A |
| Weight | 1.50kgs |
| Standard | ISO22883 |

Advantages at a glance

| | |
|----------------------------|-------------|
| Rolling Resistance | ● ● ● ● ● |
| Operating Noise | ● ● ● ● ● |
| Floor Surface Preservation | ● ● ● ● ● ○ |

2D Dimensional Drawing of Drive Wheel



* For any deviation between metric and imperial spec, please refer to the metric spec.