

Rubber Series

Wheel Diameter × Wheel Width 203 x 50.8mm

EAN

YJ-12047808205200

Made of High-Quality Resilient Rubber **Features excellent handling, superior Floor Surface Preservation, and Shock-Absorbing.** **Excellent resistance to chemicals, solvents, and corrosion.** **Suitable for industrial and heavy-duty wheels.** **Rubber, Black, with a textured surface.** **Increases grip and effectively improves slip resistance.**

Wheel Center: Aluminum core
Outer packaging: rubber



Picture may differ from original product

Product descriptions are for reference only. The actual product shall prevail.

Technical Data

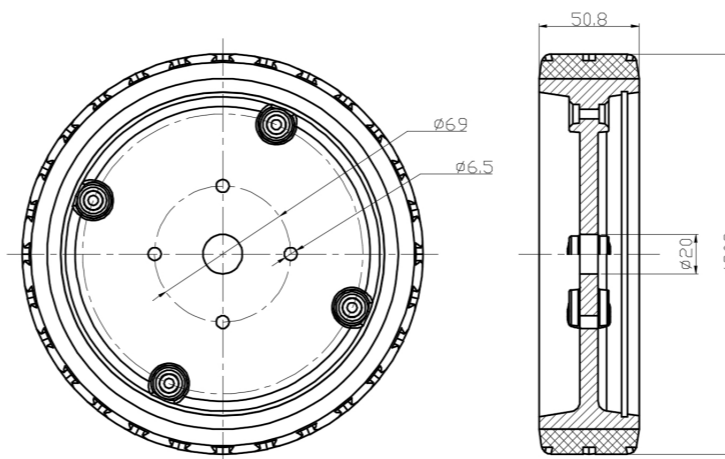
Imperial Metric

Wheel Diameter (D)	8
Wheel Width (T2)	2"
Wheel installation — Hub Lenth (T1)	—
Wheel center-bore diameter (d)	13/16"
Wheel Mounting Bolt Hole PCD Diameter	1/4"
Wheel Mounting Bolt Hole PCD	2-3/4"
# Of Wheel mounting bolt boles	4
Wheel mounting bolt hole (M)	—
Number of wheel mounting bolt holes	—
Load Capacity (Static)	992lbs
Load Capacity at 4 km/h	661lbs
Load Capacity at 6 km/h	562lbs
Load Capacity at 10 km/h	463lbs
Load Capacity at 16 km/h	265lbs
Hardness Of Tread	72±5° Shore A
Temperature	-4°F to +176°F
Tread Pattern	Diamond pattern
Wheel centre/ rim	Aluminum core/passivation
Non-Marking	Y
Conductive	N/A
Anti	N/A
Weight	3.3lbs
Standard	ISO22883

Advantages at a glance

Rolling Resistance	● ● ● ● ●
Operating Noise	● ● ● ● ●
Floor Surface Preservation	● ● ● ● ● ○

2D Dimensional Drawing of Drive Wheel



* For any deviation between metric and imperial spec, please refer to the metric spec.