

1110-2 Light Duty Wire & Shelving/Display Series

Wheel diameter × Wheel width 75×21 mm

EAN

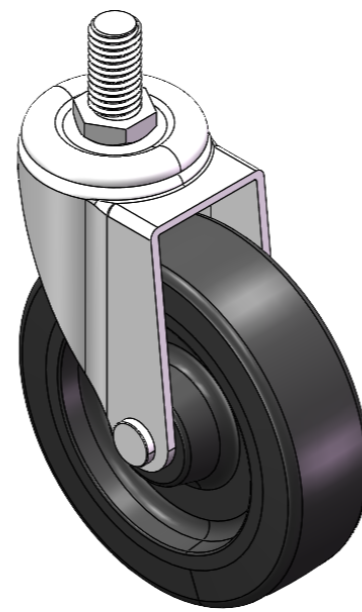
YJ-W11100300295413

Portable Casters, Threaded Stem Stamping Fork—3/8"-16 teeth
Zinc-Plated surface, Mounting Type - Threaded Stem device
Polypropylene Wheel Center and Wheel Tread
Black, wheels—Plain Bearing.

Wheel surface: PP polypropylene

Wheel surface: PP polypropylene

Drawings are for reference only and may differ from the product



Picture may differ from original product

Technical Data

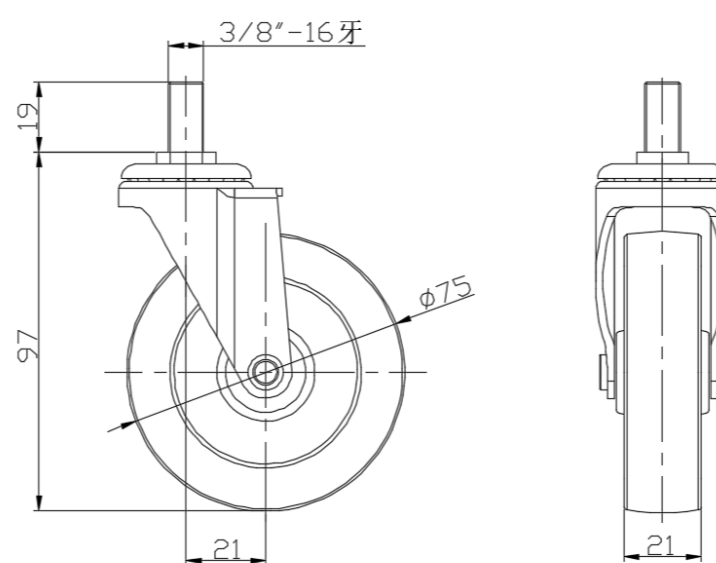
Metric Imperial

Wheel Diameter	75mm
Wheel Width	21mm
Wheel Bearing	Wheel With Plain Bearing
Threaded Stem	3/8" -16牙
Threaded Length	19mm
Offset	21mm
Swivel Interference	118mm
Overall Height	97mm
Swivel Radius	59mm
Hardness Of Tread	65±5° Shore D
Load Capacity (Dynamic)	40kgs
Load Capacity (Static)	60kgs
Temperature	-10°C to +60°C
Fork Type	Swivel Caster
Stainless	N/A
Electrical Conductivity	N/A
Anti-Static	N/A
Weight	0.20kgs
Standard	ISO22883

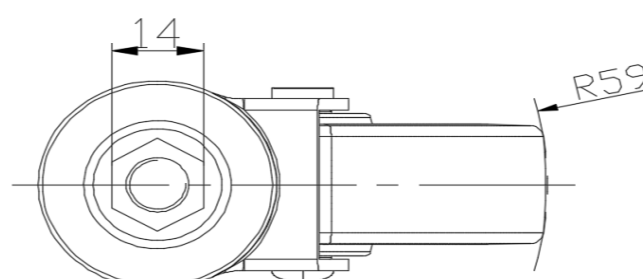
Advantages at a glance

Rolling Resistance	● ● ● ● ●
Operating Noise	● ● ● ○ ○
Floor Surface Preservation	● ● ● ○ ○

Dimensions



Mounting



* For any deviation between metric and imperial spec, please refer to the metric spec.