

## 1110-2 Light Duty Wire & Shelving/Display Series

Wheel diameter × Wheel width 75×21 mm

EAN

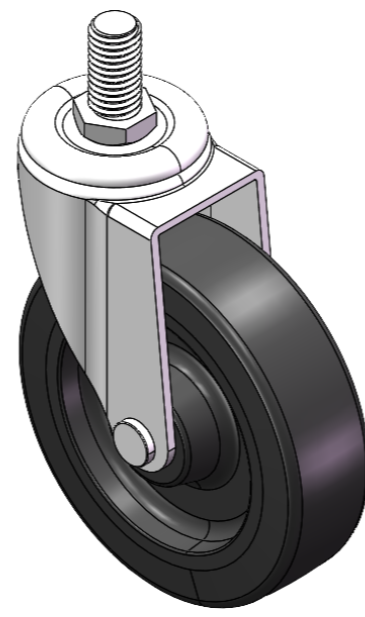
YJ-W11100300295413

Portable Casters, Threaded Stem Stamping Fork—3/8"-16 teeth  
Zinc-Plated surface, Mounting Type - Threaded Stem device  
Polypropylene Wheel Center and Wheel Tread  
Black, wheels—Plain Bearing.

Wheel surface: PP polypropylene

Wheel surface: PP polypropylene

Drawings are for reference only and may differ from the product



Picture may differ from original product

### Technical Data

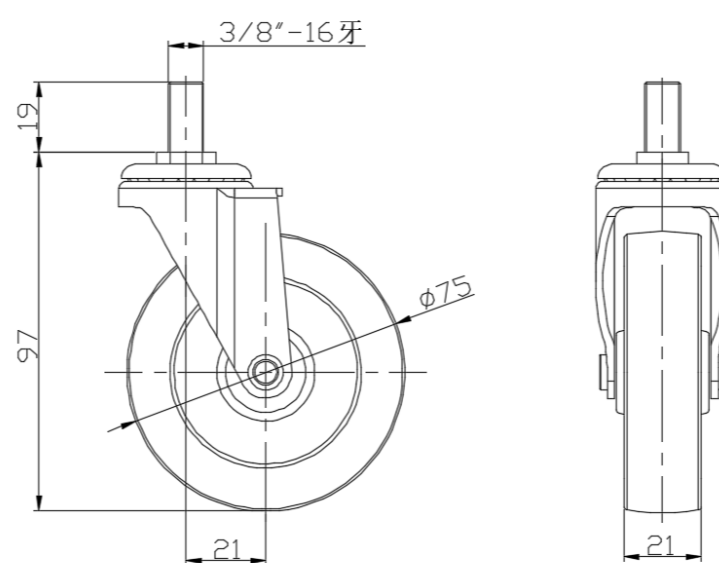
Imperial  Metric

Wheel Diameter	3 "
Wheel Width	7/8 "
Wheel Bearing	Wheel With Plain Bearing
Threaded Stem	3/8 " -16牙
Threaded Length	3/4 "
Offset	7/8 "
Swivel Interference	4-11/16 "
Overall Height	3-7/8 "
Swivel Radius	2-3/8 "
Hardness Of Tread	65±5° Shore D
Load Capacity (Dynamic)	88lbs
Load Capacity (Static)	132lbs
Temperature	14°F to +140°F
Fork Type	Swivel Caster
Stainless	N/A
Electrical Conductivity	N/A
Anti-Static	N/A
Weight	0.4lbs
Standard	ISO22883

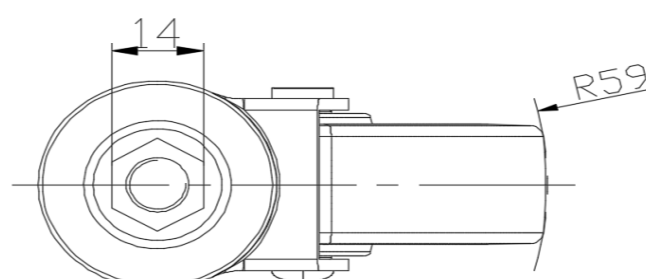
### Advantages at a glance

Rolling Resistance	● ● ● ● ●
Operating Noise	● ● ● ○ ○
Floor Surface Preservation	● ● ● ○ ○

### Dimensions



### Mounting



\* For any deviation between metric and imperial spec, please refer to the metric spec.