

## 1129 Medical Caster Series

PPR (Pearlescent dark gray) Wheel Diameter × Wheel Width 100 x 31mm

EAN

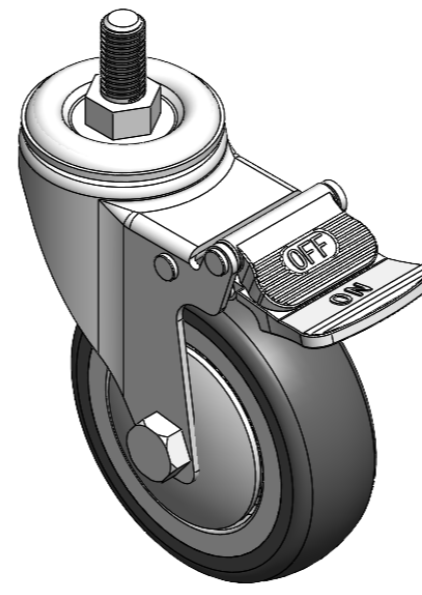
YJ-X11290400266933

Castors with Total Brake Locking system. Thread riveting stamping Tripod—M12-P1.75 Extended control lever surface, Threaded Stem installation device High-quality Impact Resistance Polypropylene Wheel Center, High-Quality Thermoplastic Rubber (TPR) wheel tread Pearlite dark grey, Bearing – Ball Bearing.

Wheel tread: Thermoplastic rubber elastomer (TPR)

Wheel Center: Made of high-quality impact-resistant polypropylene

Drawings are for reference only and may differ from the product



Picture may differ from original product

### Technical Data

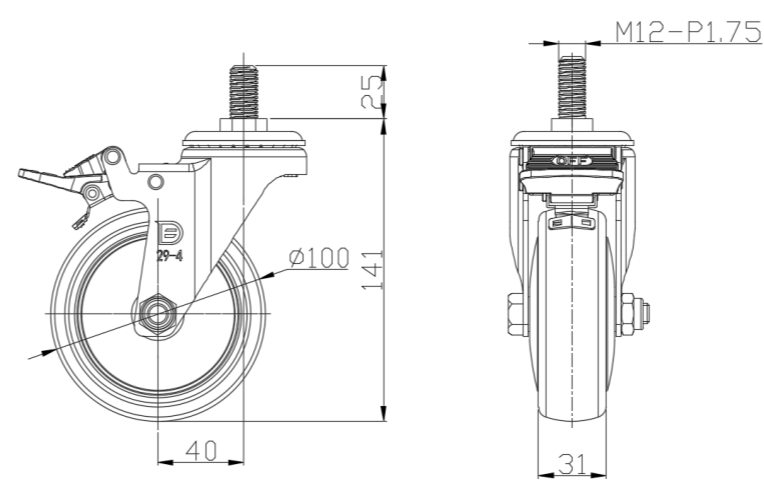
Imperial  Metric

Wheel Diameter	4 "
Wheel Width	1-1/4 "
Wheel Bearing	Wheels With Ball Bearings
Threaded Stem	M12-P1.75
Threaded Size	1 "
Offset	1-5/8 "
Swivel Interference	8-3/8 "
Overall Height	5-9/16 "
Swivel Radius	4-3/16 "
Hardness Of Tread	82±5° Shore A
Load Capacity (Dynamic)	176lbs
Load Capacity (Static)	265lbs
Temperature	-4°F to +140°F
Fork Type	Swivel Caster With Total Brake
Stainless	N/A
Electrical Conductivity	N/A
Anti-Static	N/A
Weight	1.4lbs
Standard	ISO22883

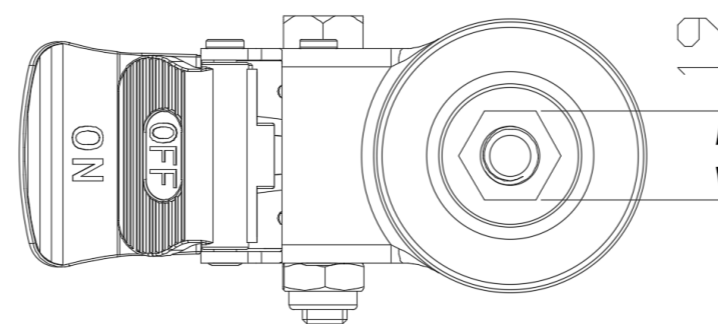
### Advantages at a glance

Rolling Resistance	● ● ● ● ○
Operating Noise	● ● ● ● ○
Floor Surface Preservation	● ● ● ● ●

### Dimensions



### Mounting



\* For any deviation between metric and imperial spec, please refer to the metric spec.