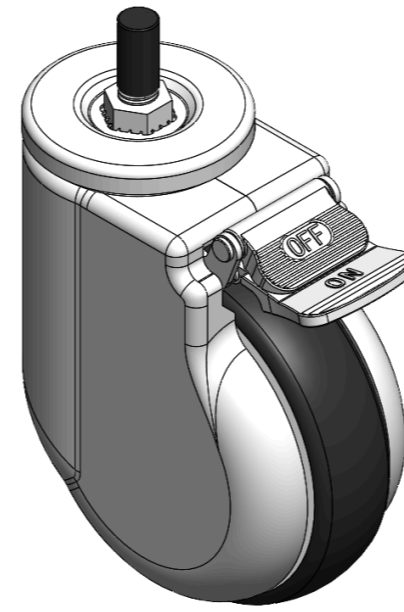


1129 Medical Caster Series

Classic PPR Wheel (Pearlescent Dark Gray Arc) Wheel Diameter × Wheel Width
125×31mm

EAN

YJ-X11290500266043



Picture may differ from original product

Drawings are for reference only and may differ from the product

Technical Data

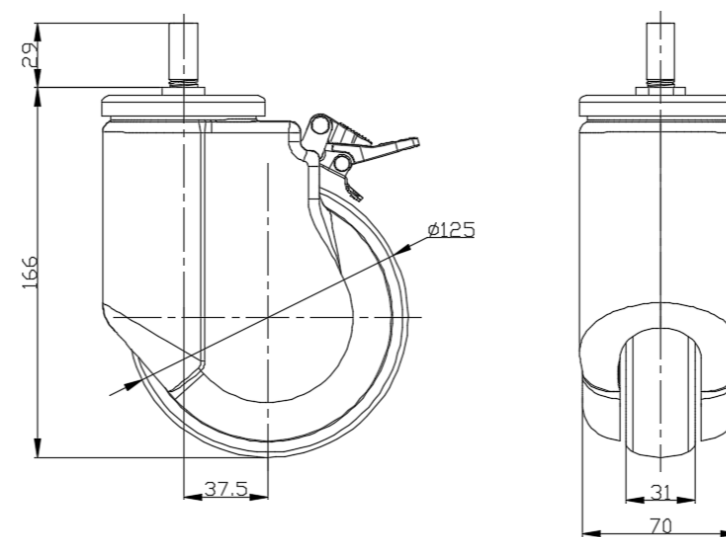
Metric Imperial

Wheel Diameter	125mm
Wheel Width	31mm
Wheel Bearing	Wheels With Ball Bearings
Threaded Stem	M12-P1.75
Threaded Length	29mm
Offset	37.5mm
Swivel Interference	210mm
Overall Height	166mm
Swivel Radius	105mm
Hardness Of Tread	82±5° Shore A
Load Capacity (Dynamic)	100kgs
Load Capacity (Static)	150kgs
Temperature	-20°C to +60°C
Fork Type	Swivel Caster With Total Brake
Stainless	N/A
Electrical Conductivity	N/A
Anti-Static	N/A
Weight	0.5kgs
Standard	ISO22883

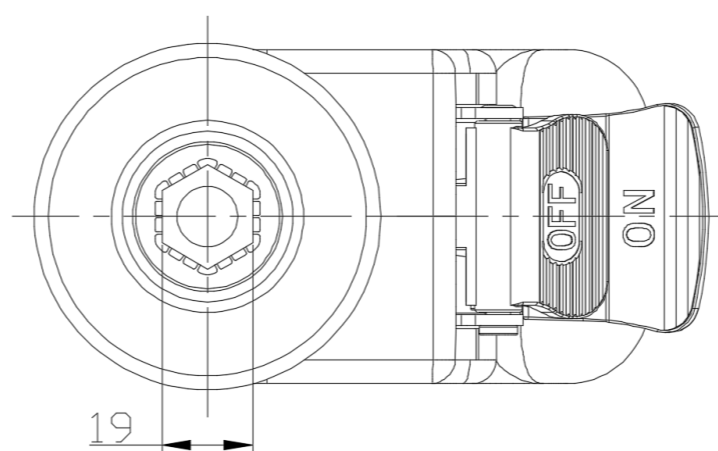
Advantages at a glance

Rolling Resistance	● ● ● ● ○
Operating Noise	● ● ● ● ○
Floor Surface Preservation	● ● ● ● ●

Dimensions



Mounting



* For any deviation between metric and imperial spec, please refer to the metric spec.