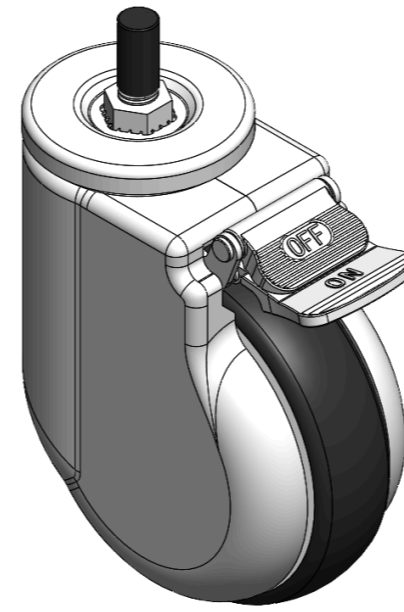


1129 Medical Caster Series

Classic PPR Wheel (Pearlescent Dark Gray Arc) Wheel Diameter × Wheel Width
125×31mm

EAN

YJ-X11290500266043



Picture may differ from original product

Drawings are for reference only and may differ from the product

Technical Data

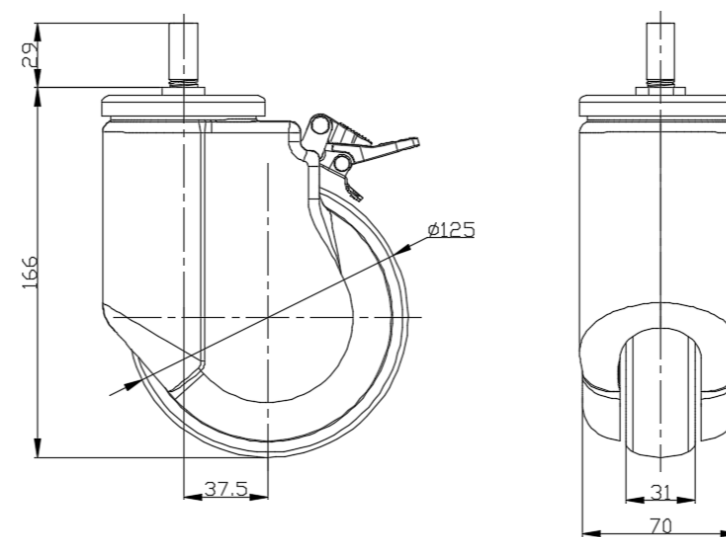
Imperial Metric

Wheel Diameter	5 "
Wheel Width	1-1/4 "
Wheel Bearing	Wheels With Ball Bearings
Threaded Stem	M12-P1.75
Threaded Length	1-3/16 "
Offset	1-1/2 "
Swivel Interference	8-3/8 "
Overall Height	6-9/16 "
Swivel Radius	4-3/16 "
Hardness Of Tread	82±5° Shore A
Load Capacity (Dynamic)	220lbs
Load Capacity (Static)	331lbs
Temperature	-4°F to +140°F
Fork Type	Swivel Caster With Total Brake
Stainless	N/A
Electrical Conductivity	N/A
Anti-Static	N/A
Weight	1.1lbs
Standard	ISO22883

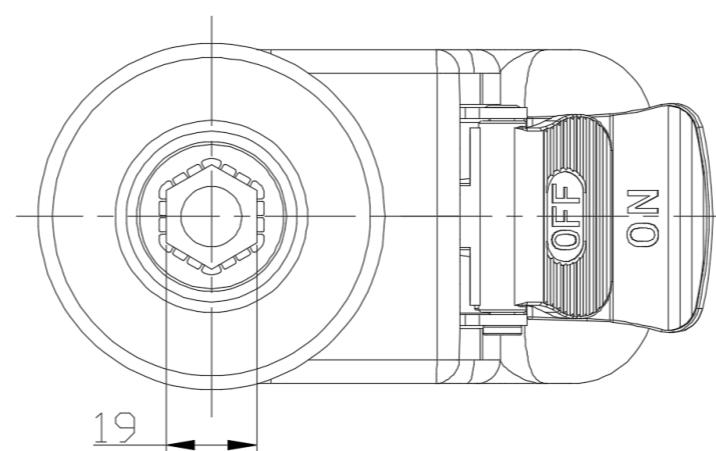
Advantages at a glance

Rolling Resistance	● ● ● ● ○
Operating Noise	● ● ● ● ○
Floor Surface Preservation	● ● ● ● ●

Dimensions



Mounting



* For any deviation between metric and imperial spec, please refer to the metric spec.